

SUNNEX LLM

Sunnex LLM is a levelling machine mount. This mount is specially designed for stable levelling of lighter equipment such as woodworking machinery, compressors, smaller industrial machines, office- and home appliances.

All machine mounts in the LLM series consists of a levelling bolt with different types of vulcanized rubber feet, which guarantees a reliable installation on most common substrates when normal operation conditions prevail.

Sunnex LLM can be mounted both in internal and external bolt holes in the chassis.

Characteristics:

- Withstands loads up to 75 kg per machine mount
- Galvanized or stainless steel
- Damping element of high resistant rubber

Application areas:

- Lighter engineering machinery
- Compressors
- Office- and home appliances

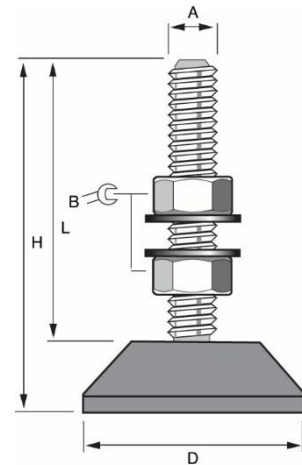
Advantages:

- Anti-vibration and levelling
- Sound deadening
- Reduces risk of "wandering" machines



Technical specification

Rubber: Nitrile rubber
 Finish: Stainless or galvanized steel
 Load capacity: 30-75 kg
 Diameter, D: 30-46 mm
 Height, H: 38-75 mm
 Length, L: 28-60 mm
 Key grip, B: 13, 17 mm
 Bolt size, A: M6-M10



Model	Max load per machine mount daN (kg)	D mm	H mm	L mm	A mm	B mm	Art.nr
LLM 108 60		46	65	57	M8	13	10410
LLM 213*60		30	45	38	M10	–	10414
LLM 259*30		30	38	28	M6	–	10413

Model	Max load per MM daN(kg)	D mm	A mm	B mm	H mm	L mm	S. less/ Galv.	Color	Art.nr
LLM 19	40	46	M10	17	53	38	G	Grey	10405
							S	Grey	10406
					75	60	G	Grey	10409
							S	Grey	10404
	75	46	M10	17	53	38	G	Black	10400
							S	Black	10401
					75	60	G	Black	10407
							S	Black	10408

* Delivered without nuts and washers

