

SUNNEX MHD

Sunnex MHD is the latest model of machine mounts from the Sunnex series, which has both anti-vibration and levelling characteristics. Sunnex MHD has particularly high level of precision in its damping ability of medium heavy and heavy machines.

The Sunnex MHD system consists of an impact resistant circular bottom chassis with an integrated damping unit, a pressure plate for pressure distribution and an integrated bolt with nuts and washers for fastening and levelling. The construction is self-locking and enables a precise levelling.

A unique design gives Sunnex MHD outstandingly characteristics regarding stabilization and damping of both horizontal and vertical forces. This makes Sunnex MHD a competitive alternative to the wedge machine mount normally used in this sector. Typical applications include mold and extrusion machines, blowers, crushers and other processing machines.

Characteristics:

- Withstands loads up to 5500 kg per machine mount
- Painted and galvanized
- Damping element of impervious rubber
- Pressure plate for shock absorption
- Integrated bolt for fastening and precision levelling

Application areas:

- Injection molding machines
- Blowing machines
- Crushers
- Extrusion machines

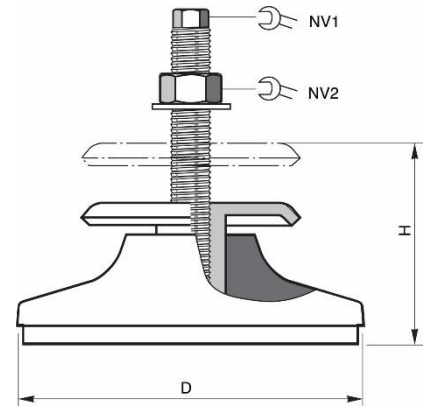
Advantages:

- Anti-vibration and levelling
- Sound deadening
- Reduces risk of "wandering" machines



Technical specification

Rubber:	Nitrile rubber
Finish:	Painted chassis, galvanized components
Load capacity:	500-5500 kg
Diameter, D:	140-245 mm
Height, H:	60-107 mm
Key grip 1, N1:	12-17 mm
Key grip 2, N2:	24-36 mm



Model	Load range per machine mount daN (kg)	D mm	H mm	Levelling bolt	NV1 mm	NV2 mm	Art.nr
MHD 130	500–1500	140	60–78	M16 x 1,5 x 150	12	24	48003
MHD 165	900–2700	174	60–84	M20 x 1,5 x 150	15	30	48006
MHD 190	1500–4000	198	60–84	M20 x 1,5 x 150	15	30	48009
MHD 240	2300–5500	245	80–107	M24 x 2,0 x 150	17	36	48012