

SUNNEX AM

Sunnex AM is both a levelling and an anti-vibration machine mount. This shoe is designed for applications that impose stringent safety and reliability demands on the installation and damping of light and medium duty machines.

The Sunnex AM machine mounts are available in either zinc plated or stainless steel. The stainless steel mount is designed to meet the specific requirements imposed in humid, wet or corrosive environments within the process industry or in environments where there are stringent hygiene requirements such as in the food, drinks and pharmaceuticals industries. The zinc plated steel mount is suitable for use in less demanding environments.

The built in levelling bolt allows the Sunnex AM to be vertically adjusted with considerable accuracy, allowing a 7° inclination while still retaining stability.

Characteristics:

- Withstands loads up to 2000 kg per machine mount
- Stainless or galvanized finish
- Damping element of impervious rubber
- Levelling bolt for up to 7 degrees inclination
- Specifically designed for sloping surfaces

Application areas:

- Food, drinks and pharmaceuticals industries
- Process industry
- Light and medium duty machines

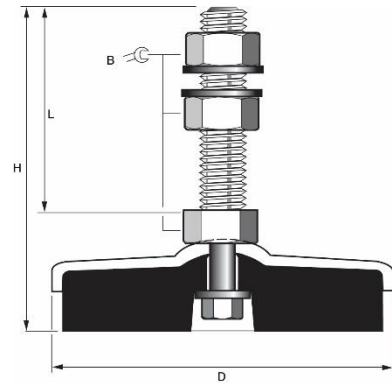
Advantages:

- Anti-vibration and levelling
- Sound deadening
- Reduces risk of "wandering" machines



Technical specification

Rubber:	Nitrile rubber
Finish:	Stainless or zinc plated
Load capacity:	50-2000 kg
Diameter, D:	68-150 mm
Height, H:	100-202 mm
Length, L:	100-150 mm
Key grip, B:	17-36 mm
Inclination:	0-7 degrees



Model	Load range per machine mount daN (kg)	D mm	L mm	H mm	Levelling bolt	B mm	Art.nr Stainless	Art.nr Galvanized	
AM 21	50–150	68	100	125	M10 x 1,50	17	10521	10525	
AM 25			120	146	M12 x 1,75	19	10523	10553	
				148		M16 x 2,00	24	10545	10555
				151		M20 x 2,50	30	10547	10557
AM 22	100–250	68	100	125	M10 x 1,50	17	10522	10526	
AM 26			120	146	M12 x 1,75	19	10524	10554	
				148		M16 x 2,00	24	10546	10556
				151		M20 x 2,50	30	10548	10558
AM 31	50–500	98	120	158	M12 x 1,75	19	10531	10535	
AM 35					M16 x 2,00	24	10533	10538	
					M20 x 2,50	30	10565	10575	
					150	191	M24 x 3,00	36	10567
AM 32	450–1000	98	120	158	M12 x 1,75	19	10532	10536	
AM 36					M16 x 2,00	24	10534	10539	
					M20 x 2,50	30	10566	10576	
					150	191	M24 x 3,00	36	10568
AM 41	900–1500	140	120	169	M12 x 1,75	19	10620	10640	
AM 45					M16 x 2,00	24	10621	10641	
					M20 x 2,50	30	10622	10642	
					150	202	M24 x 3,00	36	10623
AM 42	1400–2000	140	120	169	M12 x 1,75	19	10630	10650	
AM 46					M16 x 2,00	24	10631	10651	
					M20 x 2,50	30	10632	10652	
					150	202	M24 x 3,00	36	10633