

# SUNNEX OSM

Sunnex OSM is an anti-vibration and levelling machine mount which is specifically produced for applications where stringent demands are imposed on effective vibration damping and reduction of troublesome noise emitted from machinery.

Sunnex OSM consists of a fine threaded pressure plate that is adjusted by an integrated levelling bolt. The design rests on a steel chassis and a thick, highly resistant, rubber damping element that withstands most types of grease, acid, oil and cooling emulsions normally used in industry.

A thorough and proven design with good levelling characteristics makes the Sunnex OSM the natural choice for the majority of machine types used in industry, such as punching and stamping machines, injection molding machines and other types of industrial machinery.

## Characteristics:

- Withstands loads up to 5500 kg per machine mount
- Painted and galvanized
- Damping element of impervious rubber
- Pressure plate for shock absorption
- Integrated bolt for fastening and precision leveling

## Application areas:

- Injection molding machines
- Blowing machines
- Crushers
- Extrusion machine

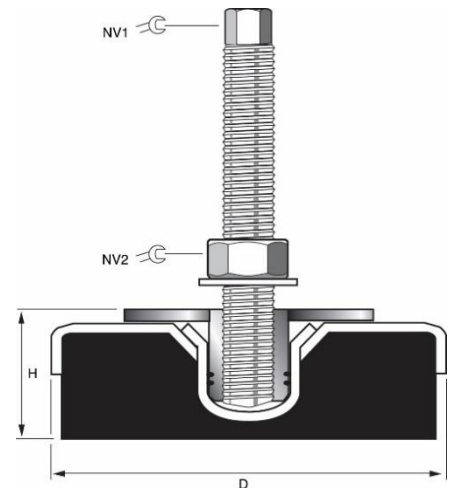
## Advantages:

- Anti-vibration and levelling
- Sound deadening
- Reduces risk of "wandering" machines



## Technical specification

Rubber:	Nitrile rubber
Finish:	Galvanized
Load capacity:	50-5500 kg
Injection molds:	Max 100 cycles/h
Presses:	Max 200 cycles/h
Diameter, D:	68-150 mm
Height, H:	38-71 mm
Key grip 1, NV1:	9-15 mm
Key grip 2, NV2:	19-30 mm



Model	Load area* per MM daN (kg)	Injection moulds <100 cycles/h daN (kg)	Presses, strokes/min			Levelling bolt	NV1 mm	NV2 mm	D mm	H mm	Art.nr
			<125 daN (kg)	125-160 daN (kg)	160-200 daN (kg)						
OSM 1	50-500	50-200	70-200	60-140	50-120	M12x1,25x120	9	19	80	38-50	10331
OSM 2	400-1000	200-400	200-400	120-350	100-250	M16x1,50x120	12	24	120	46-59	10332
OSM 3	800-2000	400-1000	400-1400	350-1100	250-725	M20x1,50x170	15	30	160	53-68	10333
OSM 4	1500-4000	1500-2500	1700-2800	1000-2100	800-1400	M20x1,50x170	15	30	160	54-69	10334
OSM 5	3000-5500	2000-3800	3000-4000	2000-3500	1400-2400	M20x1,50x170	15	30	200	56-71	10335